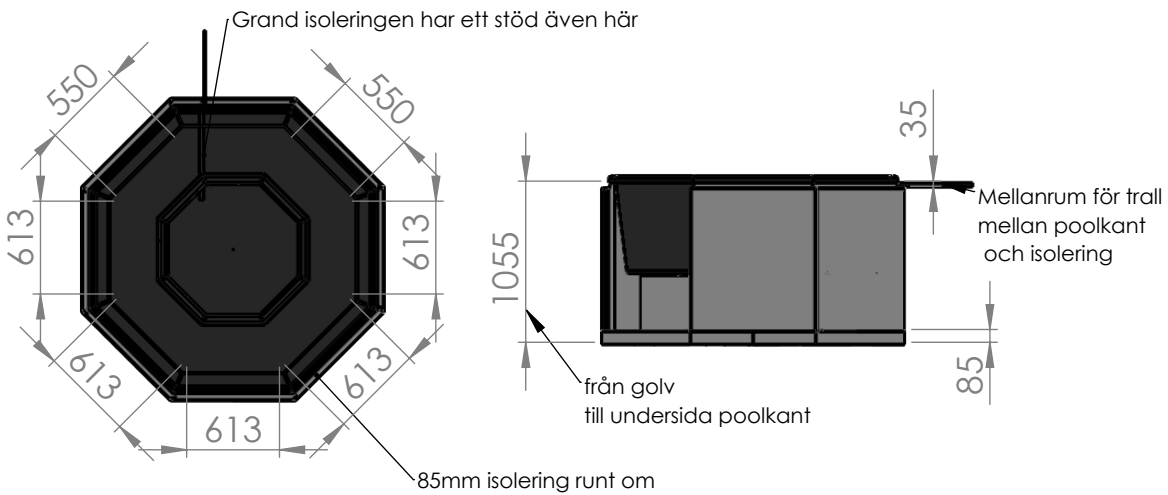


4 3 2 1

F

F

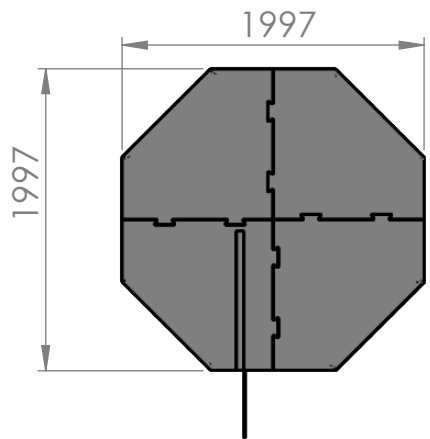


E

E

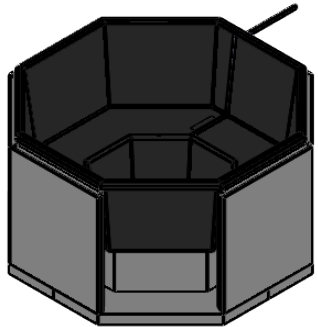
D

D



C

C



Isolering Grand:

- Vägg 7st
- Vägg med lucka 1st
- *Golv 4st
- *Sittyta L= 613 7st
- *Sittyta L= 613 urtag 1st

Isolering Comfort:

- Väggar 8st
- *Golv 4st
- *Sittyta L=613 6st
- *Sittyta L=550 2st

* = bottenstomme

B

B

UNLESS OTHERWISE SPECIFIED:
DIMENSIONS ARE IN MILLIMETERS
SURFACE FINISH:
TOLERANCES:
LINEAR:
ANGULAR:

FINISH:

DEBURR AND
BREAK SHARP
EDGES

DO NOT SCALE DRAWING

REVISION

A

A

NAME	SIGNATURE	DATE
DRAWN		
CHK'D		
APPV'D		
MFG		
Q.A		

TITLE:

MATERIAL:

WEIGHT:

DWG NO.

SCALE: 1:50

SHEET 1 OF 1

Grand Comfort isolering

A4

4 3 2 1