

6

5

4

3

2

1

D

D

C

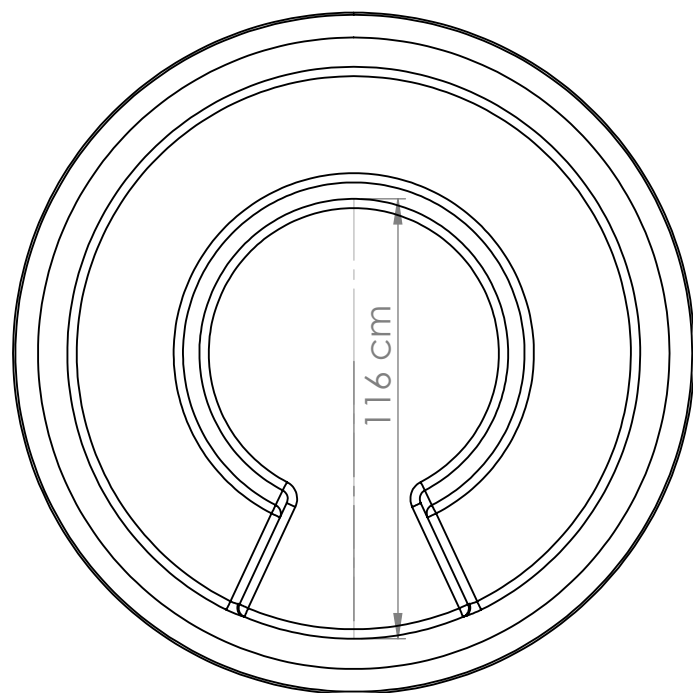
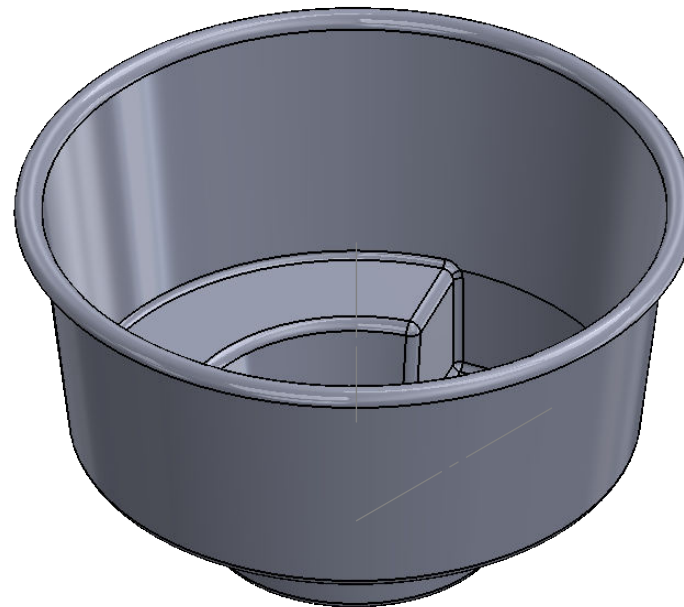
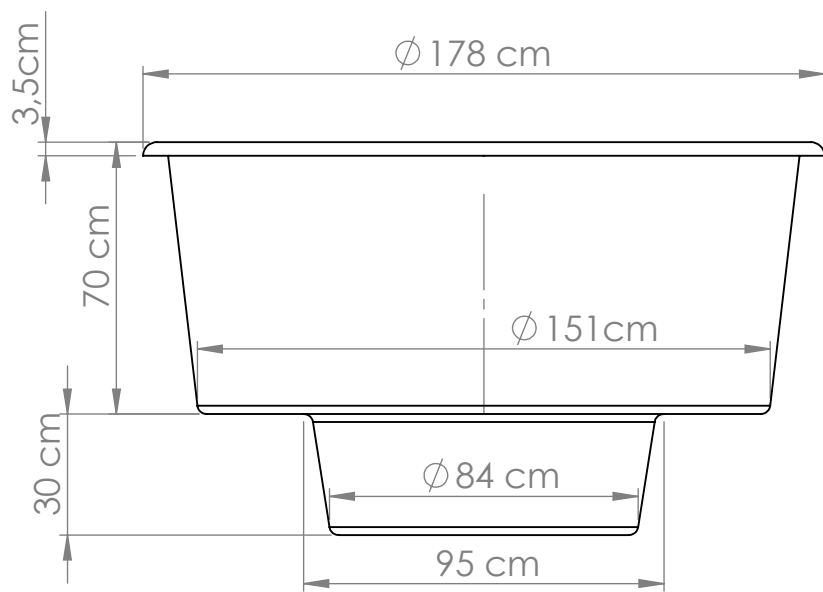
C

B

B

A

A



MATERIAL:	DRAWN	Joakim Sandmark	REVISION
			
WEIGHT:	DWG NO.	Classic	A4
	SCALE: 1:50	SHEET 1 OF 1	

6

5

4

3

2

1