

4 3 2 1

F

F

E

E

D

D

C

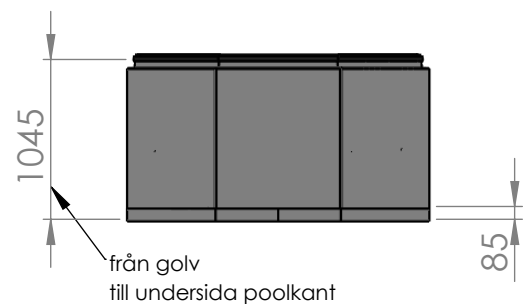
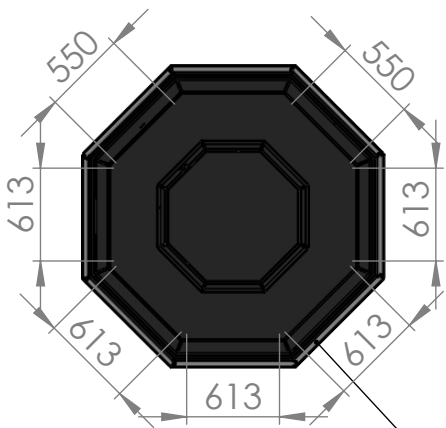
C

B

B

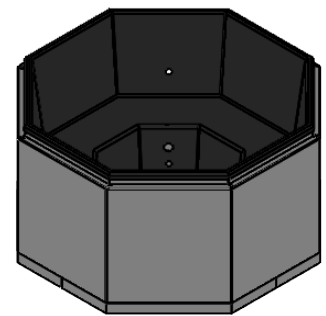
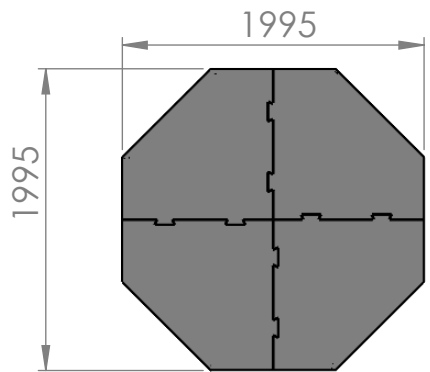
A

A



85mm isolering runt om

OBS sittyta med urtag ska vara mittför vägg med lucka



Isolering Grand:

- Vägg 7st
- Vägg med lucka 1st
- *Golv 4st
- *Sittyta L= 613 7st
- *Sittyta L= 613 urtag 1st

Isolering Comfort:

- Väggar 8st
- *Golv 4st
- *Sittyta L=613 6st
- *Sittyta L=550 2st
- * = bottenstomme

UNLESS OTHERWISE SPECIFIED:
DIMENSIONS ARE IN MILLIMETERS
SURFACE FINISH:
TOLERANCES:
LINEAR:
ANGULAR:

FINISH:

DEBURR AND
BREAK SHARP
EDGES

DO NOT SCALE DRAWING

REVISION

	NAME	SIGNATURE	DATE
DRAWN			
CHK'D			
APPV'D			
MFG			
Q.A			

TITLE:

MATERIAL:

WEIGHT:

DWG NO.

SCALE: 1:50

SHEET 1 OF 1

Grand Comfort isolering

A4

4 3 2 1